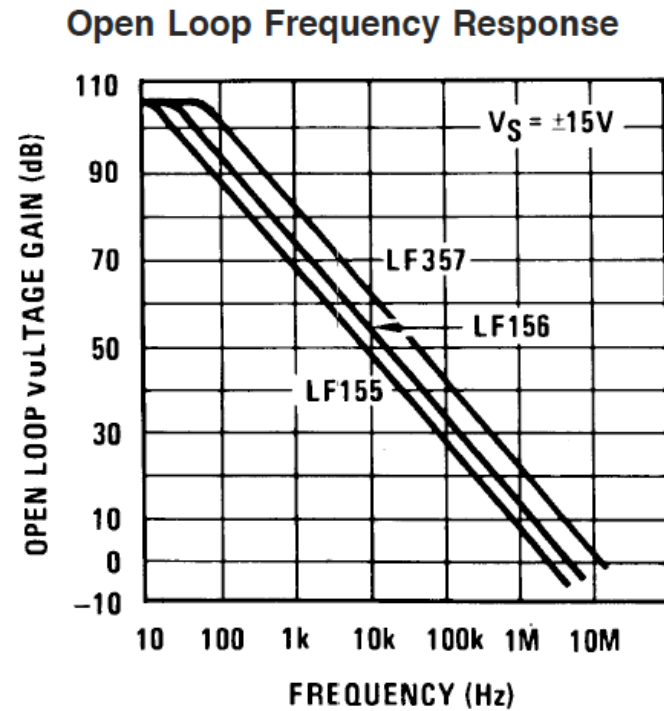


ECE3204 Lecture 24

Dominant Pole Compensation

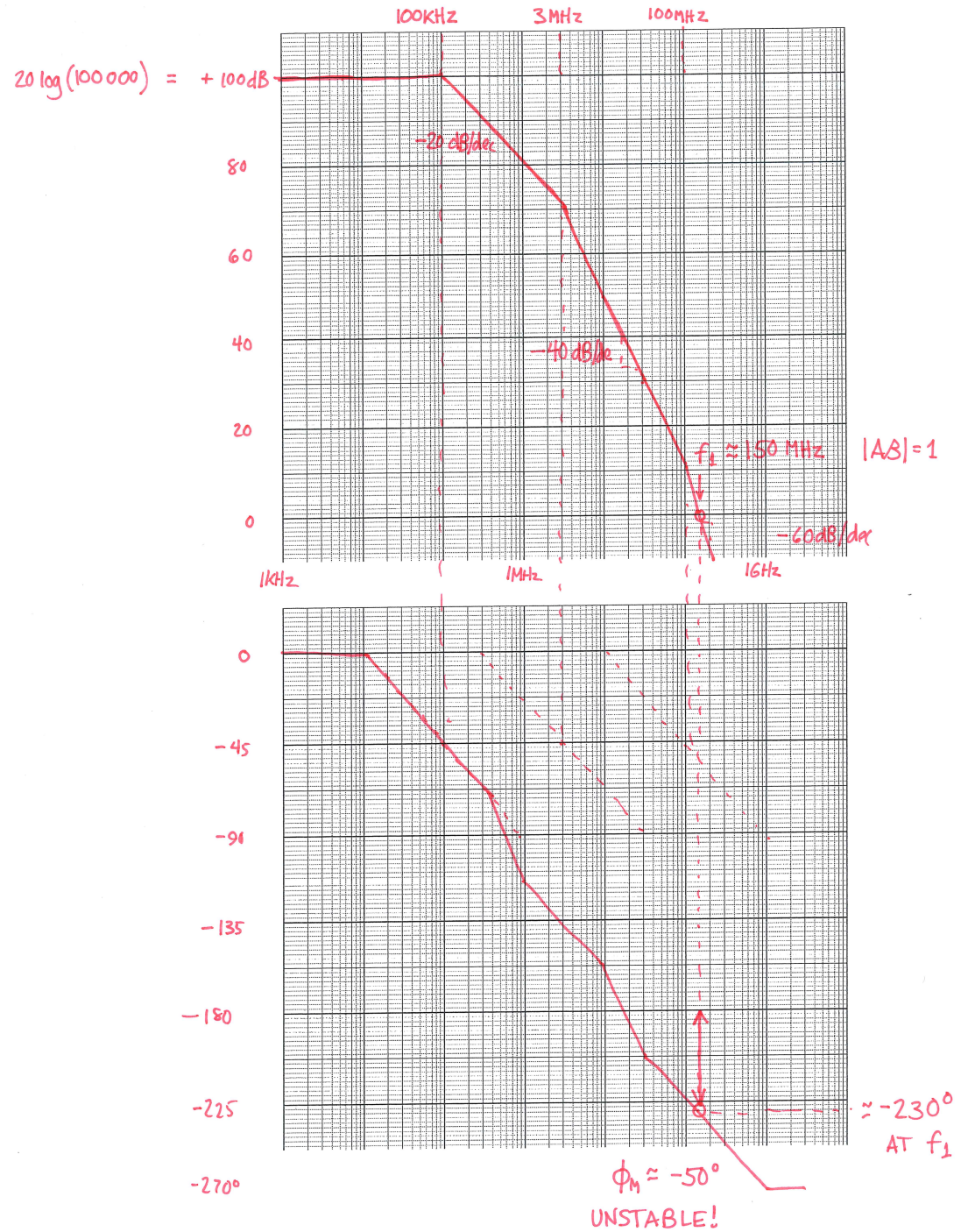
Revisit: Transimpedance amplifier (Lab 1)

Why does op-amp Open Loop Gain look like this?

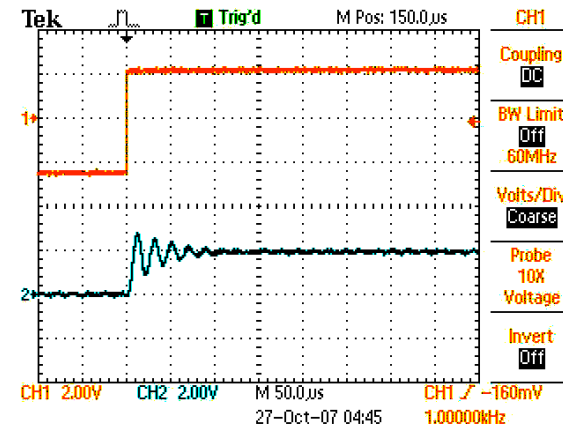
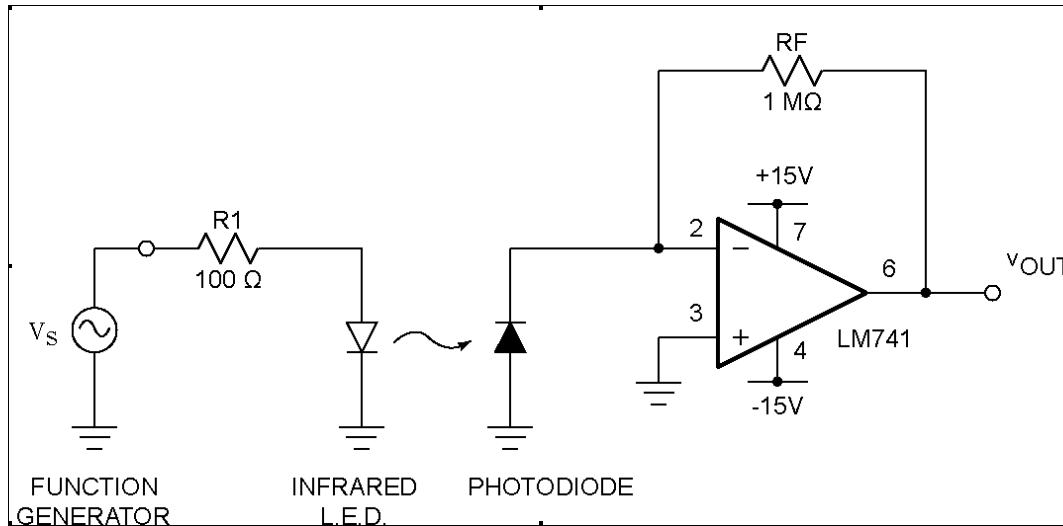


One-Minute Quiz Op-Amp

$$A(s) = \frac{v_{out}}{v_{id}} = \frac{100\,000}{\left(1 + \frac{s}{2\pi(100\text{kHz})}\right)\left(1 + \frac{s}{2\pi(3\text{MHz})}\right)\left(1 + \frac{s}{2\pi(100\text{MHz})}\right)}$$



Transimpedance Amplifier (Lab 1)



Stability Fix: Transimpedance Amplifier

