

## ECE3204 Lecture 12

### Comparator

### Schmitt Trigger (17.4)

### Positive Feedback

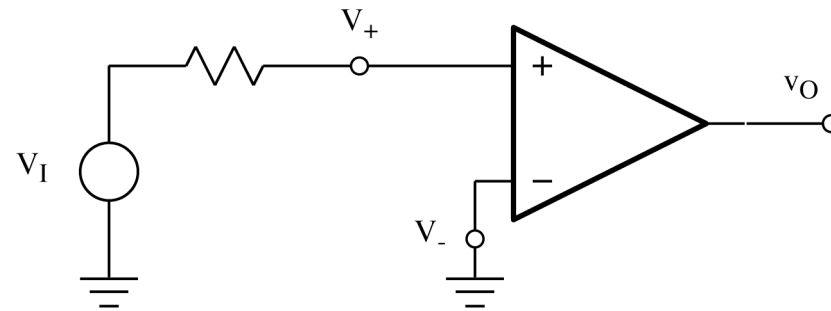
### Analysis with

- Timing Diagram
- Input-Output Characteristic

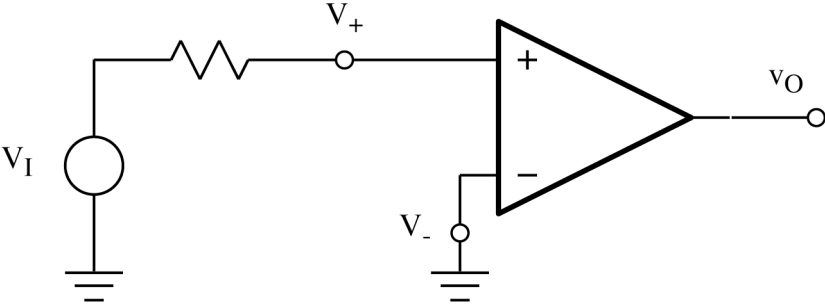
Hand in:

HW 3

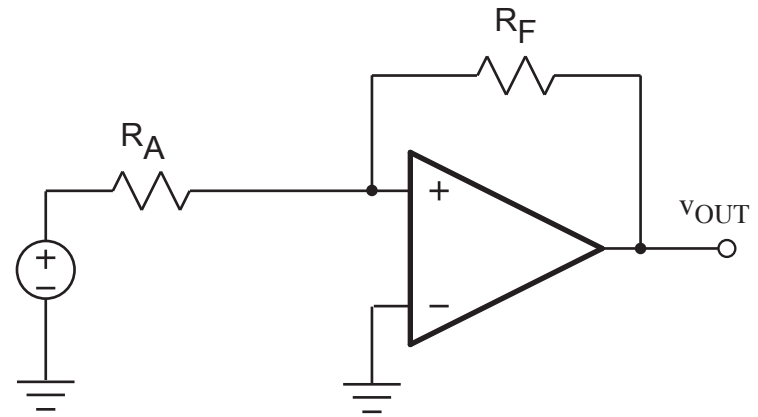
## Comparator



# Schmitt Trigger (17.4)



## Analysis of Noninverting Schmitt Trigger



# Inverting Schmitt Trigger

