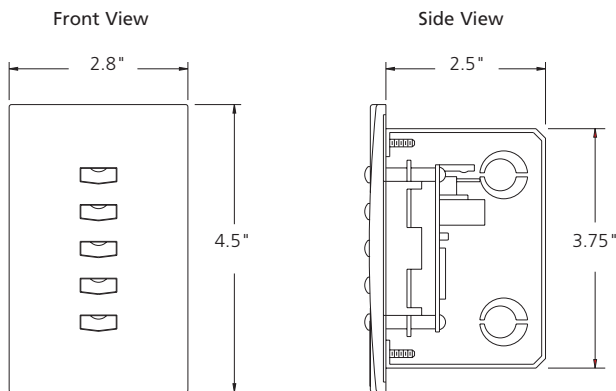


GENERAL INFORMATION

Unison button stations are specially designed for reliable, recall of pre-programmed presets or macros. Ideal for entrance locations.

- APPLICATIONS**
- Churches
 - Hotels
 - Convention Centers
 - Meeting Rooms
 - Schools
 - Restaurants
- FEATURES**
- Programmable buttons
 - Individual zone, and master control
 - Preset recall
 - Room combine
 - Macro activation
 - Link Power control network
 - Topology free wiring
 - Connectorized station termination
 - Designer appeal
 - Custom station designs (1 gang shown) (wood, metal)

DIMENSIONS



ORDERING INFORMATION

Button Stations

	Model #	Description	Legend
0	U00001- __1F	1/2 gang, 1 button	On/Off
	U00001- __2F	1/2 gang, 1 button	Entry
	U00001- __3F	1/2 gang, 1 button	Panic
0 0	U00002- __1F	1/2 gang, 2 button	On, Off
	U00002- __2F	1/2 gang, 2 button	Open, Close
00000	U00005- __1F	1/2 gang, 5 button	Preset 1-4, Off
0	U10001- __1F	1 gang, 1 button	On/Off
	U10001- __2F	1 gang, 1 button	Entry
	U10001- __3F	1 gang, 1 button	Panic
0 0	U10002- __1F	1 gang, 2 button	On, Off
	U10002- __2F	1 gang, 2 button	Open, Close
00000	U10005- __1F*	1 gang, 5 button	Preset 1-4, Off
0 0 00000	U10007- __1F	1 gang, 7 button	Raise, Lower, Preset 1-4, Off
00000 00000	U10010- __1F	1 gang, 10 button	Preset 1-9, Off
⊖	U11K00- __1F	1 gang, 1 keyswitch (maintained**)	Lockout
⊖ =	U11K01- __1F	1 gang, 1 keyswitch (maintained**), 1 button	Lockout, On/Off
	U11K01- __2F	1 gang, 1 keyswitch (maintained**), 1 button	Lockout, Entry
	U11K01- __3F	1 gang, 1 keyswitch (maintained**), 1 button	Lockout, Panic
⊖ 0	U11K02- __1F	1 gang, 1 keyswitch (maintained**), 2 button	Lockout, On, Off
	U11K02- __2F	1 gang, 1 keyswitch (maintained**), 2 button	Lockout, Open, Close
⊖ 00000	U11K05- __1F	1 gang, 1 keyswitch (maintained**), 5 button	Lockout, Preset 1-4, Off

*Product shown above.
 **Keyswitch stations available in momentary configurations.

Notes:
 Enter station color code in __ space provided. 1-white, 2-ivory, 3-gray, 4-black.
 Above stations flush mount (F) in industry standard gang boxes. (Not by ETC.)
 Also available in surface mount (S) and portable (P) configurations.



Unison® Button Station

Control Series

SPECIFICATIONS

MECHANICAL

Button stations shall consist of an electronic assembly and faceplate which shall utilize a cantilever styled switch array.

Stations shall flush mount in industry standard 1-gang back boxes (provided by others).

Surface mount back-boxes shall be available for one-gang stations.

Station faceplates and button caps shall be constructed of injection molded, ABS plastic.

Buttons shall contain an integral LED response indicator.

Stations shall have no visible means of attachment.

All station legends shall be silk-screened in a scratch and wear resistant dark gray paint.

Button stations shall be available in white, ivory, gray and black. Custom colors shall be available with sample.

Button stations shall be available with 1, 2, 5, 7, and 10 buttons. Custom button stations shall be available.

1, 2, and 5 button stations shall be available with a maintained or momentary keyswitch.

ELECTRICAL

Button stations shall connect to Echelon* LONWORKS* Link Power control network.

Link Power network shall utilize low voltage Class II unshielded twisted pair, Belden type 8471 or equivalent and (1) #14 ESD drain wire (Drain wire not required when installed in grounded metal conduit).

Link Power network wiring shall not exceed 1500' (500m) without the use of a repeater. The REP, Repeater Option module shall increase network wire length in increments of 1500' (500m). Maximum (4) LCD's per power supply, total 32 stations per repeater.

The Unison station protocol is Echelon Link Power.

Link Power network shall be topology free and polarity independent. Wiring may be bus, loop, home-run or any combination of these.

All station terminations shall be connectorized.

FUNCTIONAL

Buttons station components shall be designed to operate default or custom system functions. Optional button functions shall be programmable via Light Manager.

Button function options shall include: preset selection, manual mode activation, record mode activation, station lockout, raise, lower, macro activation, zone on/off control and wall open/close or toggle.

Button station components shall allow programming of individual lockout levels.

DIMENSIONS

Flush Backbox Dimensions

Gang	Height		Width		Depth	
	inches	cm	inches	cm	inches	cm
1/2 (by ETC)	3.75	9.53	1.3	3.3	3.25	8.26
1 (RACO 690*)	3.75	9.53	2.0	5.08	2.5	6.35

Surface Backbox Dimensions

Gang	Height		Width		Depth	
	inches	cm	inches	cm	inches	cm
1/2 (by ETC)	3.75	9.53	1.75	4.45	3.25	8.26
1 (RACO 690*)	3.75	9.53	2.0	5.08	2.5	6.35

*or equivalent

Faceplate Dimensions

Gang	Height		Width	
	inches	cm	inches	cm
1/2	4.5	11.43	1.75	4.45
1	4.5	11.43	2.8	7.1



Americas ■ 3030 Laura Lane, P.O. Box 620979, Middleton, WI 53562-0979 USA ■ Tel: +1 608 831 4116 ■ Fax: +1 608 836 1736 ■ Toll free: 866 382 2724 ■ Toll free fax: 800 555 8912
Europe ■ Unit 5, Victoria Industrial Estate, Victoria Road, London W3 6UU, UK ■ Tel: +44 (0)20 8896 1000 ■ Fax: +44 (0)20 8896 2000
Asia ■ Room 605-606, Tower III Enterprise Square, 9 Sheung Yuet Road, Kowloon Bay, Kowloon, Hong Kong ■ Tel: +852 2799 1220 ■ Fax: +852 2799 9325
Web: www.etcconnect.com ■ **Email:** (US) mail@etcconnect.com ■ (UK) mail@etc europe.com ■ (Asia) mail@etcasia.com

© Copyright © 2003 ETC. All Rights Reserved. All product information and specifications subject to change. 7081L1046 Rev. C Printed in USA 08/03