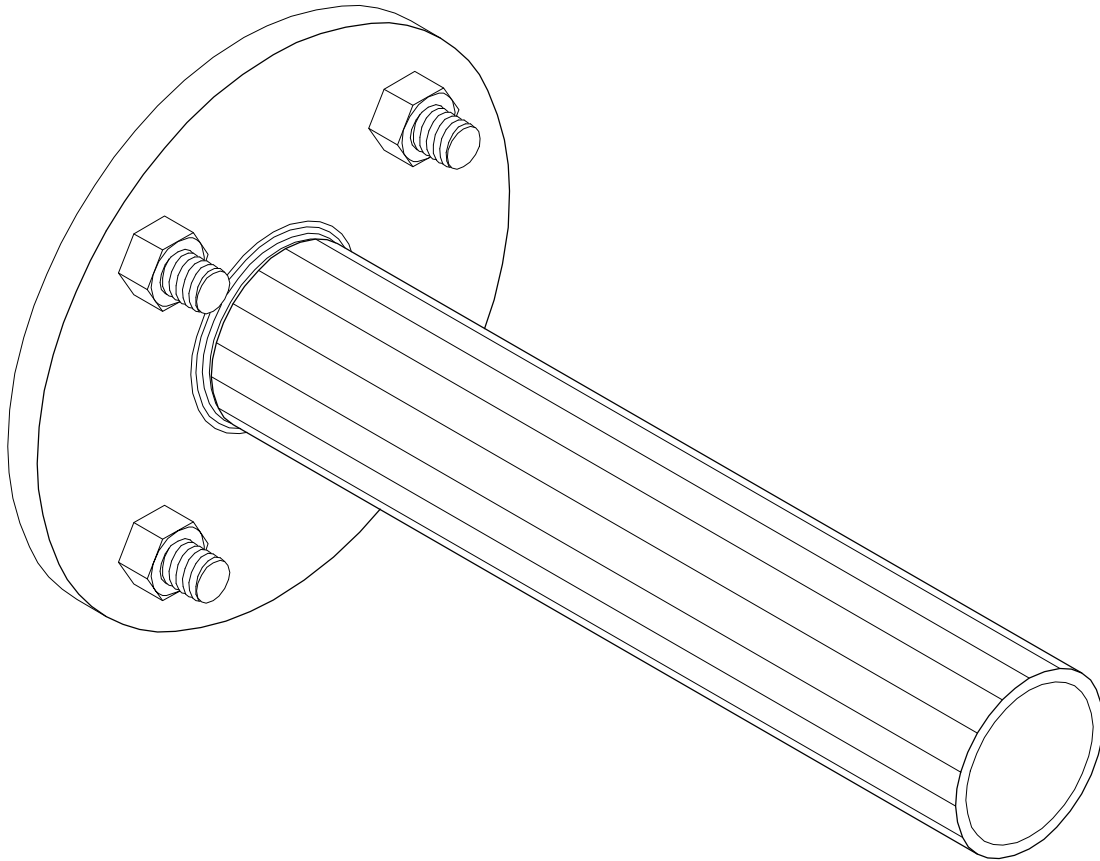


Catalog # Wall Flange

Stabilizer for the Perimeter of Pipe Grids
Telescopic tube to fit 1.5" sch 40 pipe



Specifications:

5" \varnothing Base with four (4) mounting holes $7/16"$ \varnothing
8" long telescopic tube to fit 1.5" sch 40 pipe
Field Drilling of pipe is required

Wall Flange