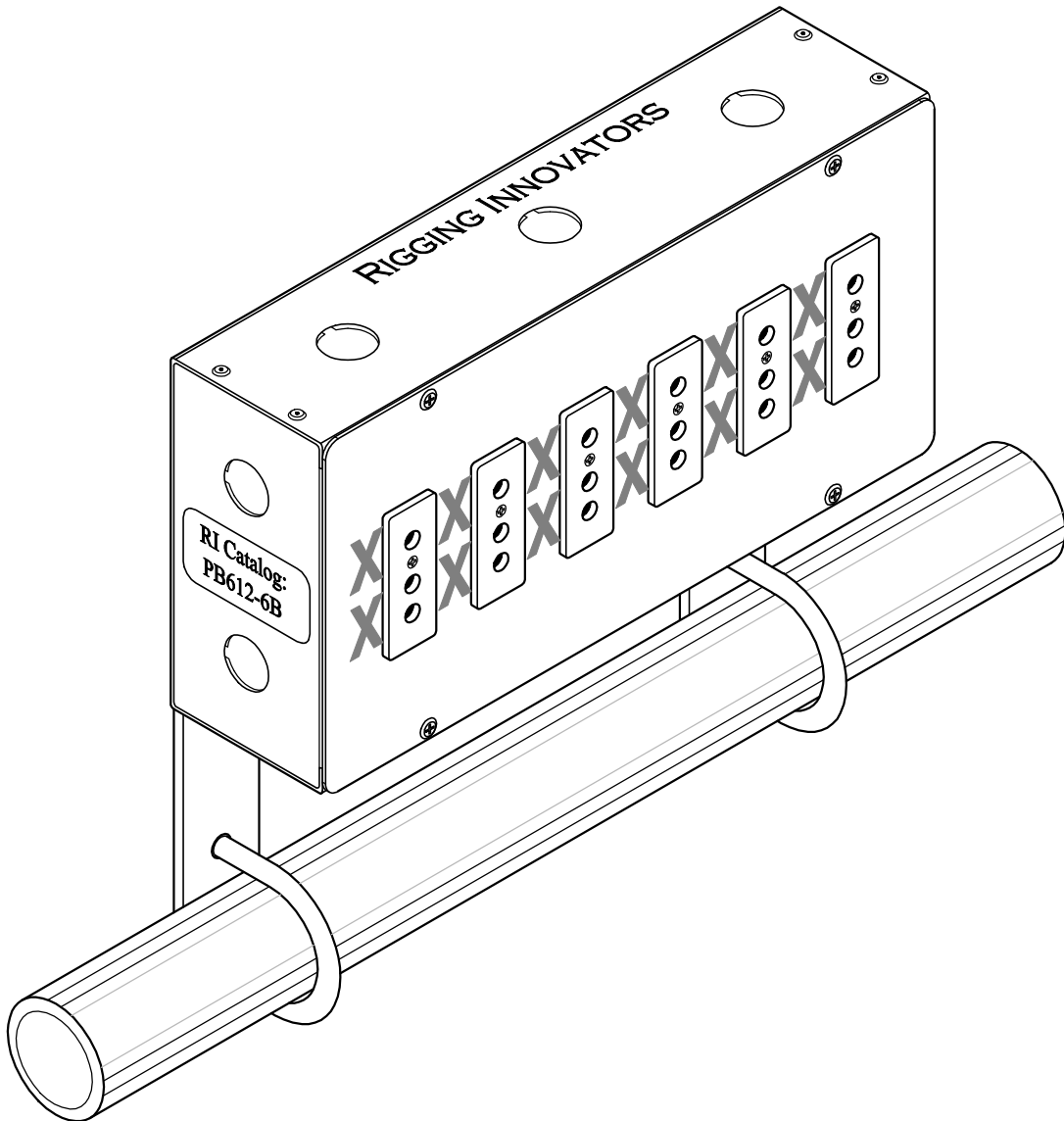


Catalog # PB612-6B

RIGGING INNOVATORS

Pipe Box, 6" x 12", with two (2) Pipe Brackets.
Connectors: Six (6) flush, 2P&G.



Pipe Box

Product Description:

Box and cover are fabricated of 18 gauge CRS.
Conduit knockouts exist on the top and both sides.
Pipe mounting brackets (2) with u-bolts are supplied.
Only specification grade 20Amp receptacles are used.
Ground lug is installed.
White die-cut circuit designations are included.



E118218