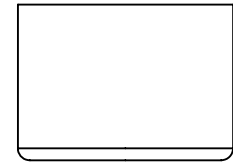
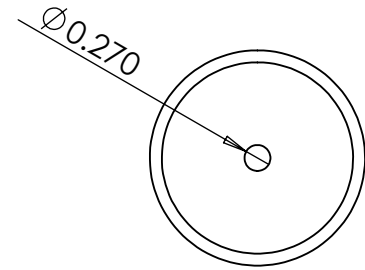
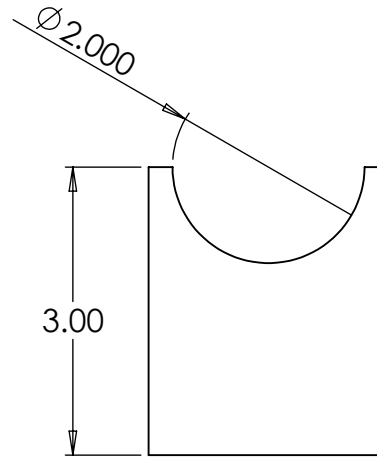
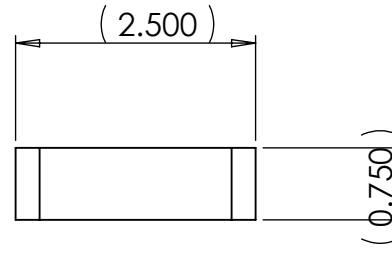
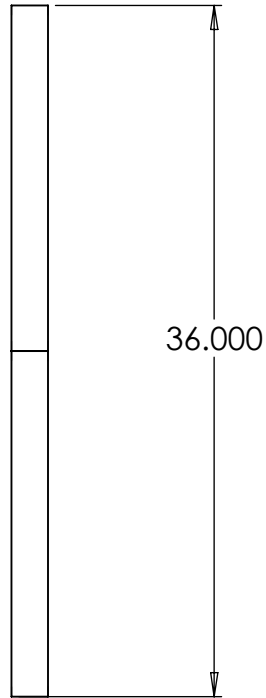
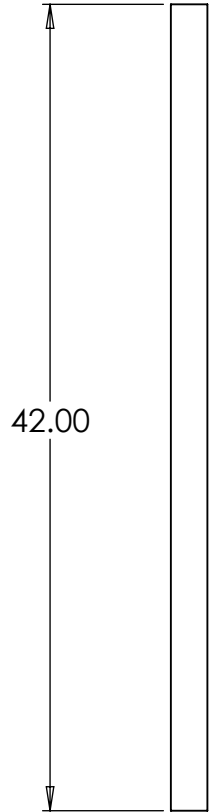


($\phi 1.900$)

($\phi 1.900$)



		DIMENSIONS ARE IN INCHES TOLERANCES: TWO PLACE DECIMAL ± 0.50 THREE PLACE DECIMAL ± 0.500 ANGULAR: MACH $\pm 2^\circ$	NAME	DATE	Savage Soccer	
			DRAWN			
			CHECKED		Chutes, End Cap, and short support	
			ENG APPR.			
			MFG APPR.			
			Q.A.			
		MATERIAL	COMMENTS:			
		FINISH				
NEXT ASSY	USED ON				SIZE	DWG. NO.
APPLICATION					A	
					SCALE:1:10	WEIGHT:
					SHEET 1 OF 1	