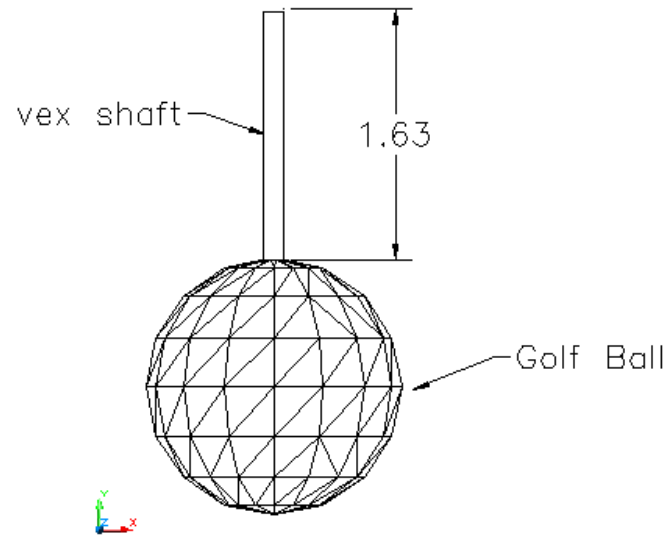


Pin



VEX shaft is $2 \frac{3}{8}$ " long
and is sunk $\frac{3}{4}$ " into
the golf ball.

